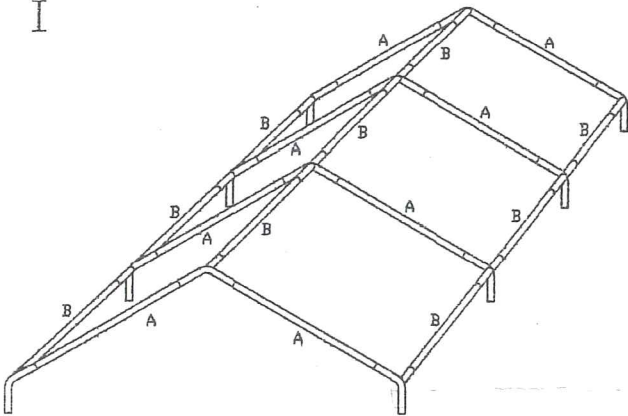


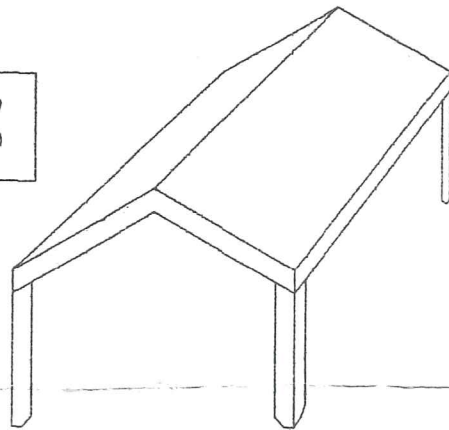
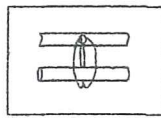
PARTY TEN 6x4

A = Lange buis > 2.00 8x
B = korte buis < 2.00 9x
C = POTEN 8x

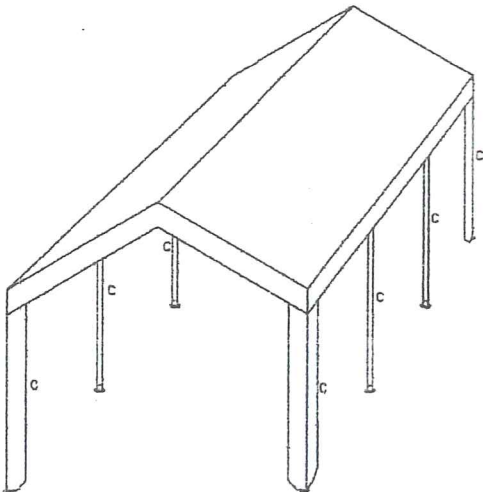
I



II



III



IV

